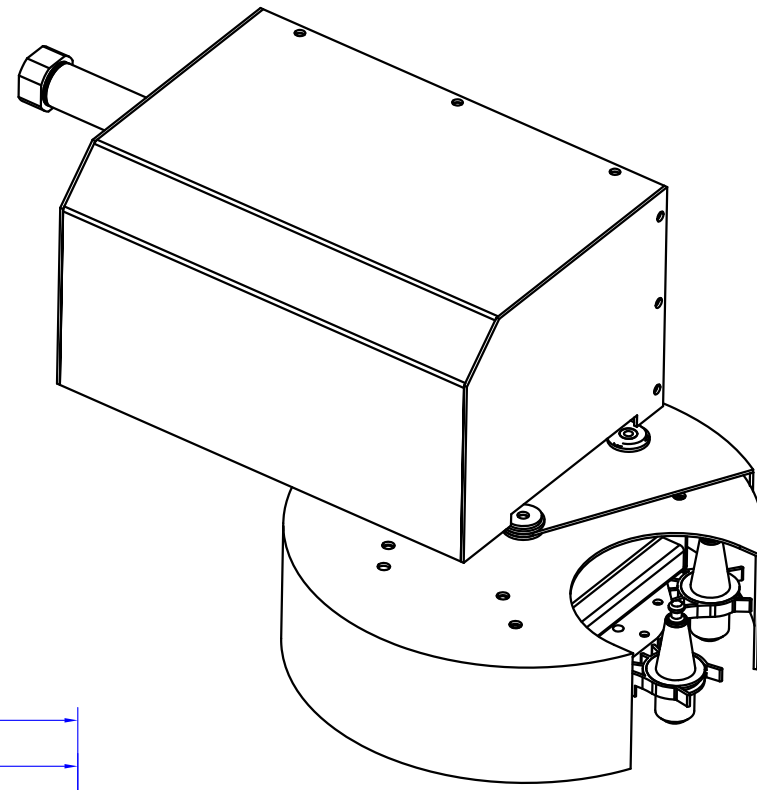


# SKYFIRE CNC

## AUTO TOOL CHANGER

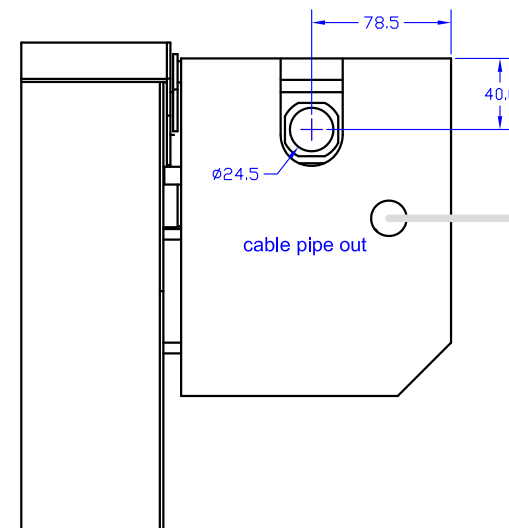
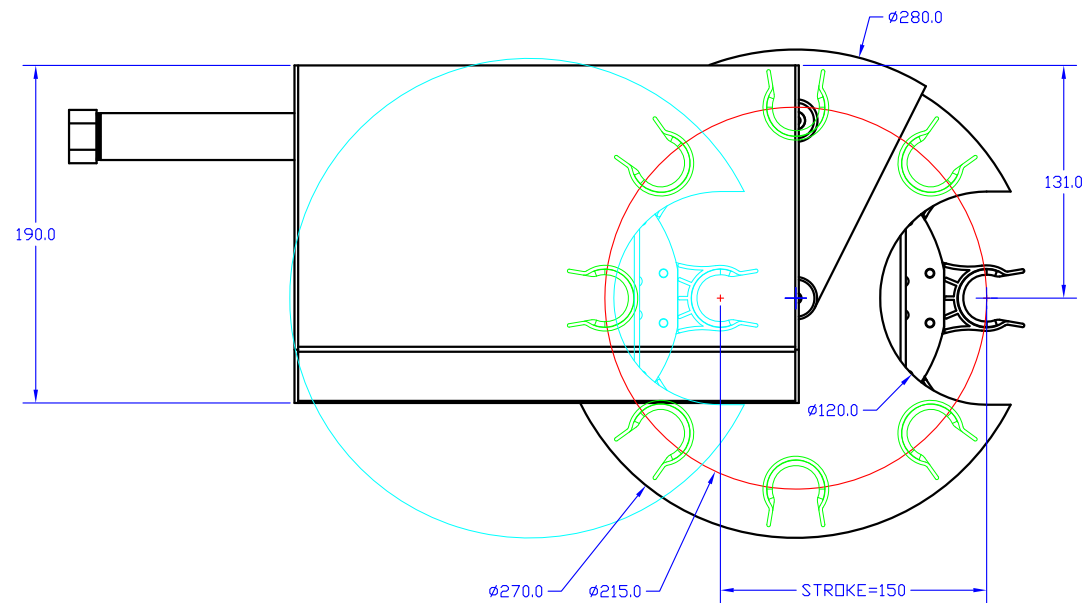
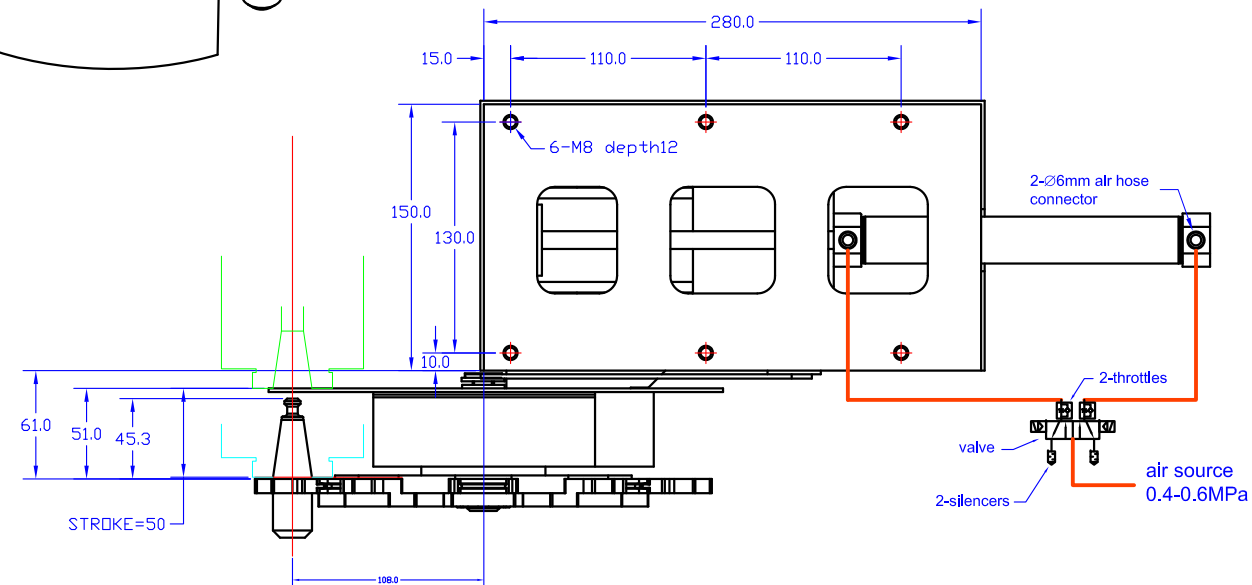
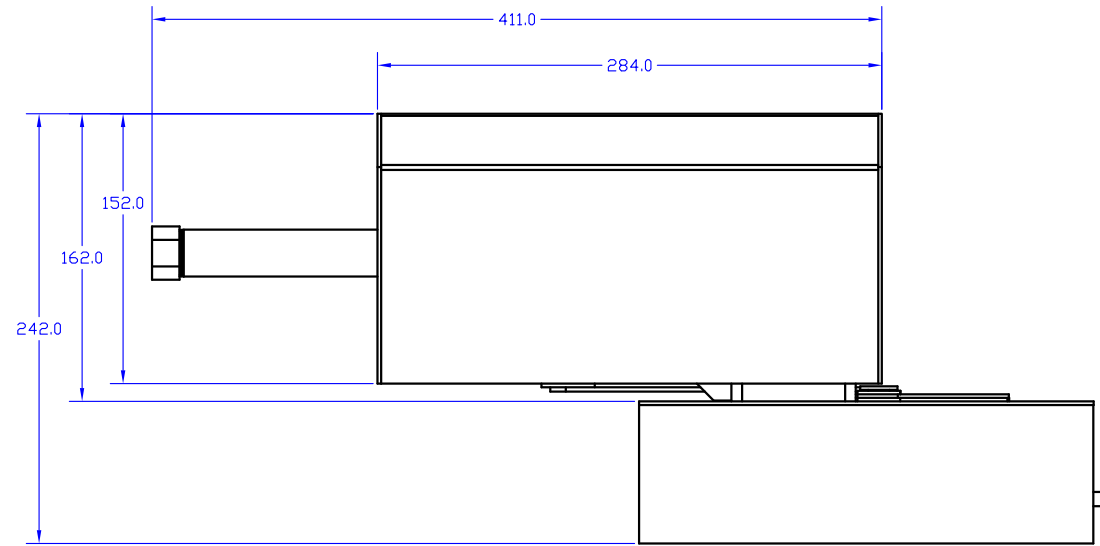
### DATASHEET

#### ATC-ISO20-8T

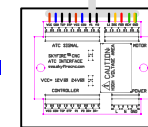


Model: ATC-ISO20-8T

Max Tool Capacity: 8  
 Max Tool Weight: 2.0kg  
 Cylinder Stroke: 150mm  
 Tool Division Time: 0.6s/50Hz(0.5sec/60Hz)  
 Control Protocol: Active LOW  
 Control IO Voltage: 12VDC/24VDC optional  
 Power Voltage: 220VAC 1phase  
 Net Weight: 18kg



ATC control box



VCC: +12V or +24VDC (depend on the PCB mark)  
 COM: 0VDC  
 TCP: tool changing position signal out (NPN output)  
 STP: standby position signal out (NPN output)  
 P1: tool counting signal out (NPN output)  
 P2: NC (optional TOOL1 HOME signal out)  
 DR+: carousel rotate CW signal in (active LOW)  
 DR-: carousel rotate CCW signal in (active LOW)

L: power phase line (220VAC 50/60Hz, other voltage please contact us)  
 N: power neutral line  
 GND: ground protection