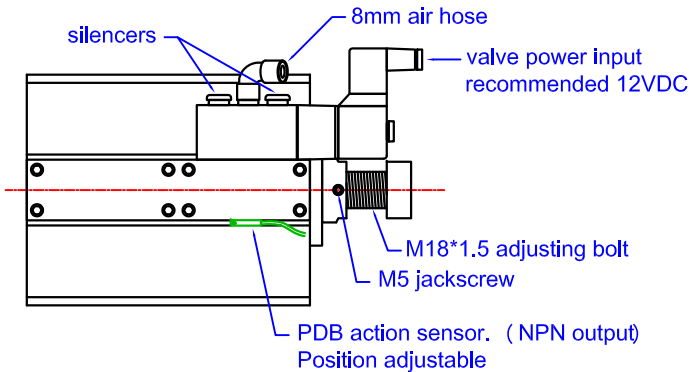
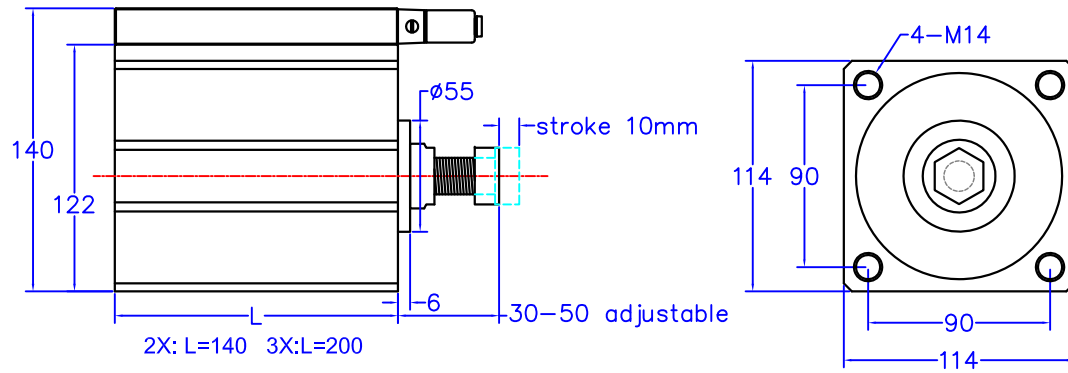


## PNEUMATIC POWER DRAWBAR DATASHEET

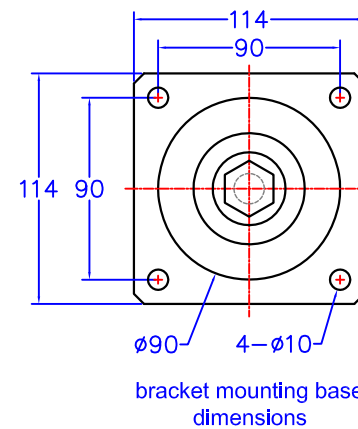
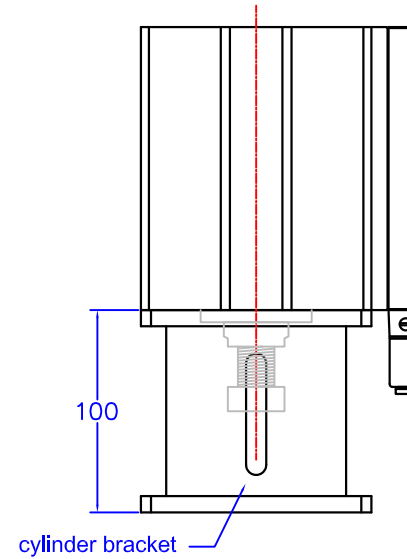
### PDB100-2X/3X

application demo with  
BT30-90 spindle unit

### Pneumatic Cylinder Part



SPECIFICATIONS:  
UNITS: mm  
THRUST FORCE:  
2X:  
6280N at 0.4MPa  
7860N at 0.5MPa  
3X:  
9420N at 0.4MPa  
11790N at 0.5MPa  
STROKE: 10mm  
AIR HOSE: 8mm  
VALVE VOLTAGE: 12VDC  
24VDC / 220VAC OPTIONAL



Adjust the bolt to fit  
drawbar travel  
distance

The space between  
L=10-spindle gripper  
travel distance

Lock the jackscrew  
after adjusting

